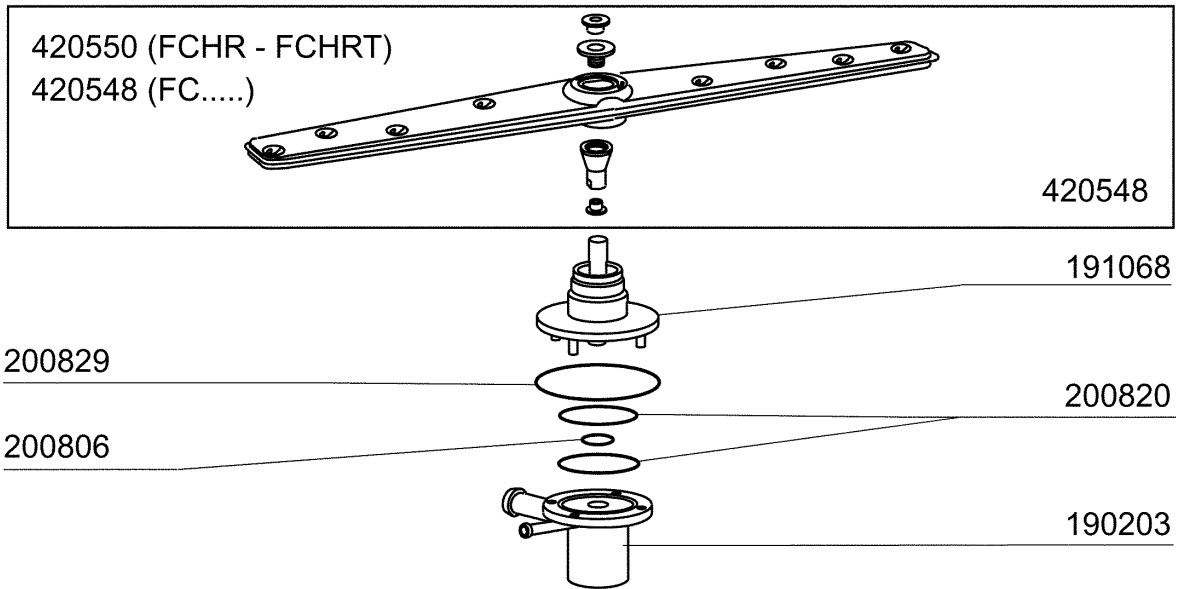
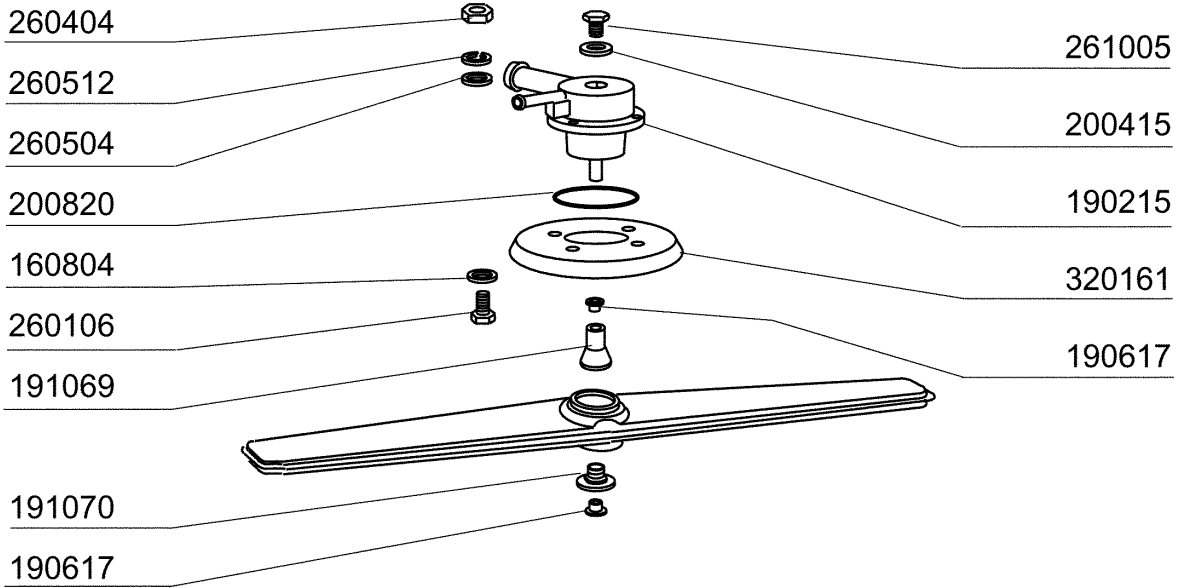


06 - 2001 S. AG.

2 - Hood

| CODE   | DESCRIPTION                    |
|--------|--------------------------------|
| 150819 | CABLE HOLDER PG16 WITH HOLE    |
| 160772 | PLUG FOR DOOR (BR-BC-FC)       |
| 160804 | GASKET D.6                     |
| 160838 | SLIDING WASHER TIE ROD FC      |
| 160840 | WASHER                         |
| 160905 | SLIDING PLATE F. TIE ROD       |
| 180506 | DOOR CATCH BR-BC-FC            |
| 190619 | DOOR CATCH B-F-R               |
| 200923 | DOOR GASKET                    |
| 260223 | M5X12 MSH/HD SCREW SPECIAL S/S |
| 260238 | M4 X 10 MUSH/HD SCREW          |
| 260247 | SCREW TCB 5X16                 |
| 260250 | SCREW TB 5X20                  |
| 260414 | SELF-LOCKING NUT M5            |
| 260503 | STAINL.STEEL FLAT WASHER D5 UN |
| 260512 | ST/ST GROWER WASHER D6         |
| 260542 | WASHER D.5                     |
| 320395 | TOP PANEL FC                   |
| 321807 | DOOR HINGE FC MACHINES         |
| 322417 | RIGHT GUIDE FC                 |
| 322418 | LEFT GUIDE FC                  |
| 322940 | DOOR FC53-FC53A                |
| 322941 | DOOR FC54-543-544-HR           |
| 330233 | FC DOOR TIE ROD                |
| 331764 | FIXING PLATE FOR B-F DOOR GASK |
| 341218 | HINGE PIN B-F-G                |
| 341481 | HOOD FC53/53A                  |
| 341482 | HOOD FC54-543-544-HR           |
| 342010 | PIN FOR TIE ROD DOOR FC        |
| 351349 | LATERAL PANEL FC53             |
| 351350 | LATERAL PANEL FC53             |
| 351351 | LEFT PANEL FC54-544-543-HR     |
| 351352 | RIGHT PANEL FC54-543-544-HR    |
| 351353 | FRONT PANEL FC                 |
| 351526 | LOWER FRONT PANEL              |
| 390150 | LOWER BACK PANEL FC            |
| 390158 | BACK PANEL FC53A               |
| 390159 | BACK PANEL FC54A               |
| 440201 | RUBBER FOOT D.60X10            |
| 450821 | SPRING CLIP FASTENER SNU 3634  |
| 463016 | FC53 NAME                      |
| 463017 | FC53A NAME                     |
| 463018 | FC54 NAME                      |
| 463019 | FC54A NAME                     |
| 463020 | FC543 NAME                     |
| 463021 | FC543A NAME                    |
| 463068 | FC533 NAME                     |
| 463069 | FC533A NAME                    |

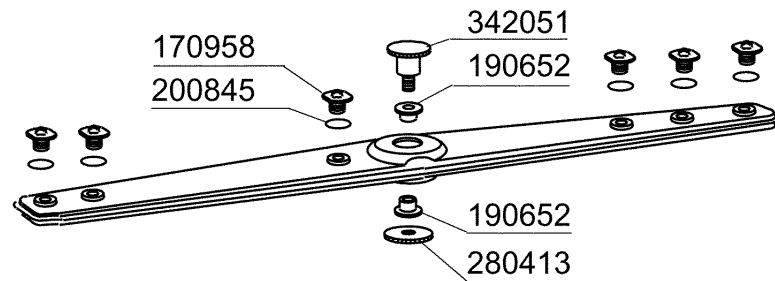


### 3 - Wash arm

| CODE   | DESCRIPTION                    |
|--------|--------------------------------|
| 160804 | GASKET D.6                     |
| 190203 | LOWER TEE WASH-RINSE F2-45-55- |
| 190215 | UPPER WASH/RINSE ARM SUPPORT F |
| 190617 | BUSH                           |
| 191068 | LOWER WASH ARM SUPPORT FC-MACH |
| 191069 | WASH ARM CENTER (FC - MACHINES |
| 191070 | LOCK NUT FOR WASH ARM CENTER ( |
| 200415 | AIR TRAP GASKET -F2 18,5X10X3  |
| 200806 | O-RING 2,62X13,10X18,34        |
| 200820 | O-RING151 46,99X5,33X57,6      |
| 200829 | O-RING 81,92X92,58X5,33        |
| 260106 | SCREW TE 6X25                  |
| 260404 | STAINLESS STEEL NUTS D6 UNI 55 |
| 260504 | ST/ST FLAT WASHER D6           |
| 260512 | ST/ST GROWER WASHER D6         |
| 261005 | SCREW F. TEE UP.WASH F2-B41    |
| 320161 | UPPER WASH ARM PROTECTION      |
| 420548 | FC WASH ARM (ST/ST)            |
| 420550 | WASH ARM FCHR - FCHRT          |

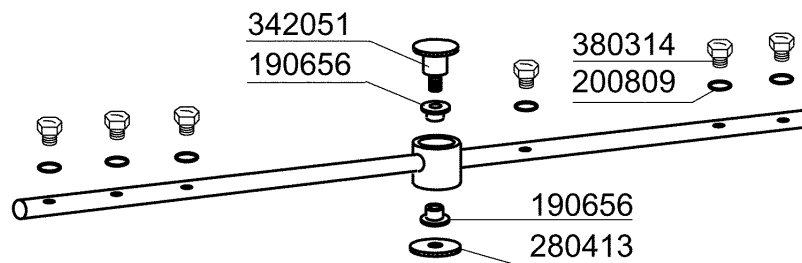
sino alla matricola  
jusqu'à la matr.  
up to serial no.  
bis Seriennr.  
hasta la matr.

**11091/10/98**



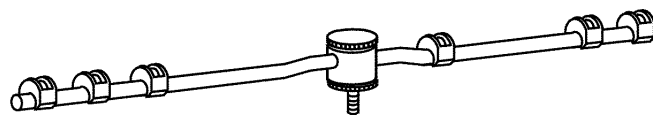
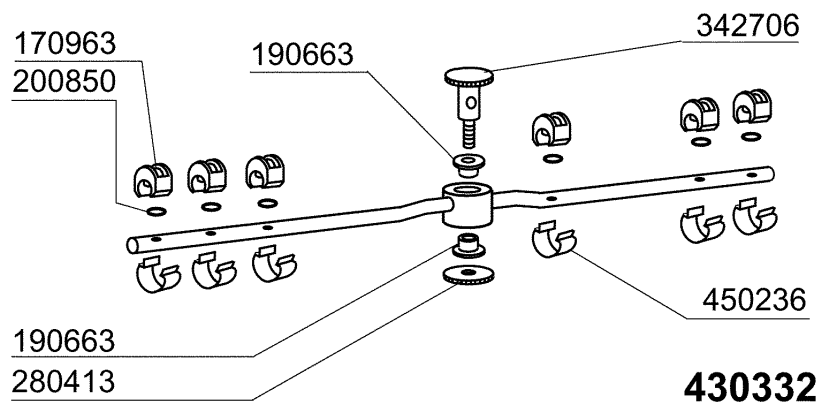
dalla matricola  
à partir de la matr.  
from serial no.  
ab Seriennr.  
despues la matr.

**11092/10/98**



dalla matricola  
à partir de la matr.  
from serial no.  
ab Seriennr.  
despues la matr.

**3551/04/00**

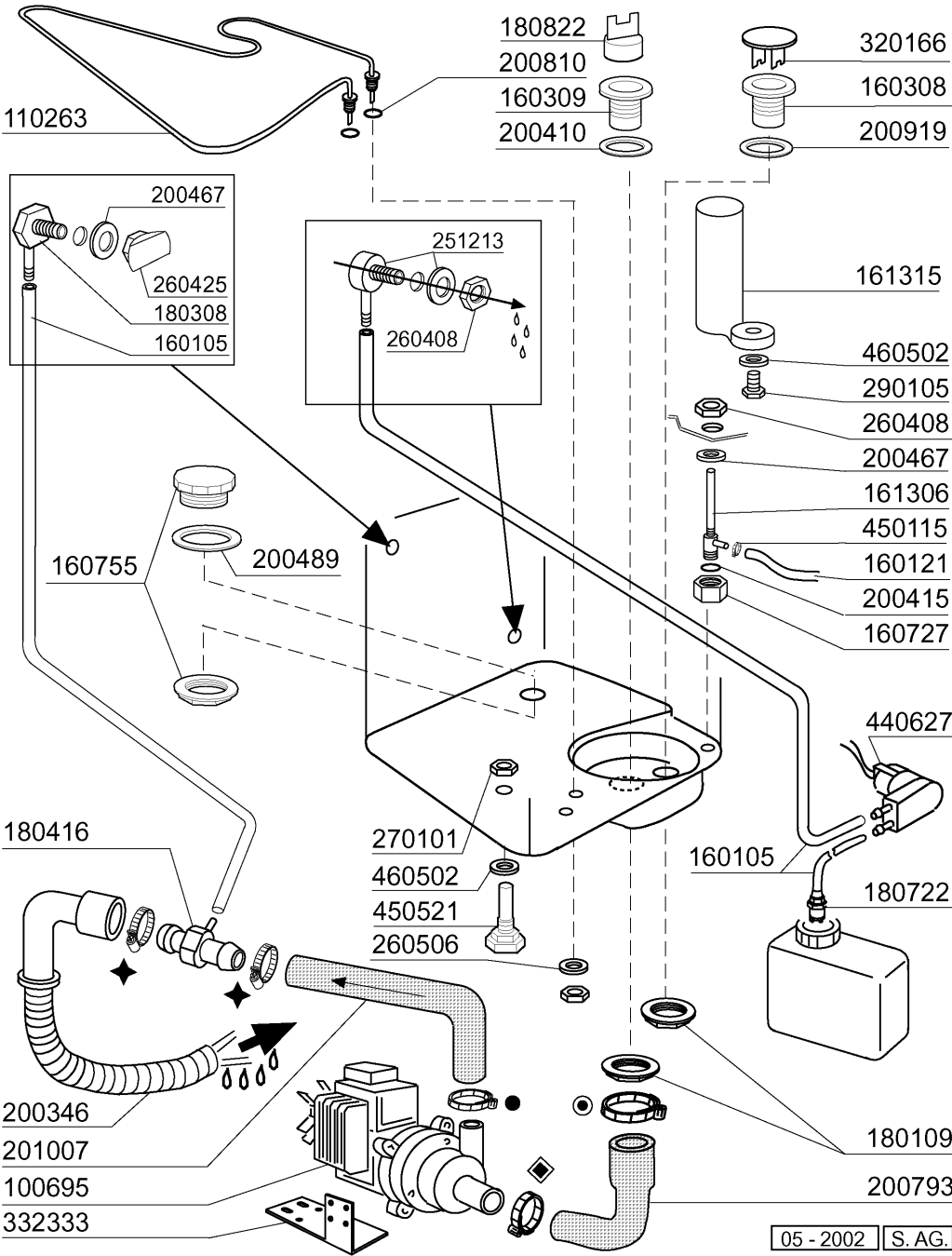


**430332**

#### 4 - Rinse arm

| CODE   | DESCRIPTION                    |
|--------|--------------------------------|
| 170958 | RINSE JET FOR FC53-543         |
| 170963 | RINSE JET X FC                 |
| 190652 | RINSE ARM BUSH FC              |
| 190656 | BUSH RINSE ARM FC              |
| 190663 | BUSH                           |
| 200809 | OR GASKET 1,78X8,73X12,29      |
| 200845 | O RING 109 2,62X9,13X14,37     |
| 200850 | O-RING                         |
| 280413 | RETAIN.LOCK NUT FOR FC RINSE A |
| 342051 | RINSE ARM SUPPORT FC           |
| 342706 | SHAFT                          |
| 380314 | RINSE JETS 801/HR              |
| 430332 | RINSE ARM FC 01/00             |
| 450236 | SPRING FOR WASHER 170963       |

- 450114 (22 - 32)
- ◉ 450135 (44 - 56)
- ◆ 450106 (32 - 44)
- ◆ 450109 (50 - 65)

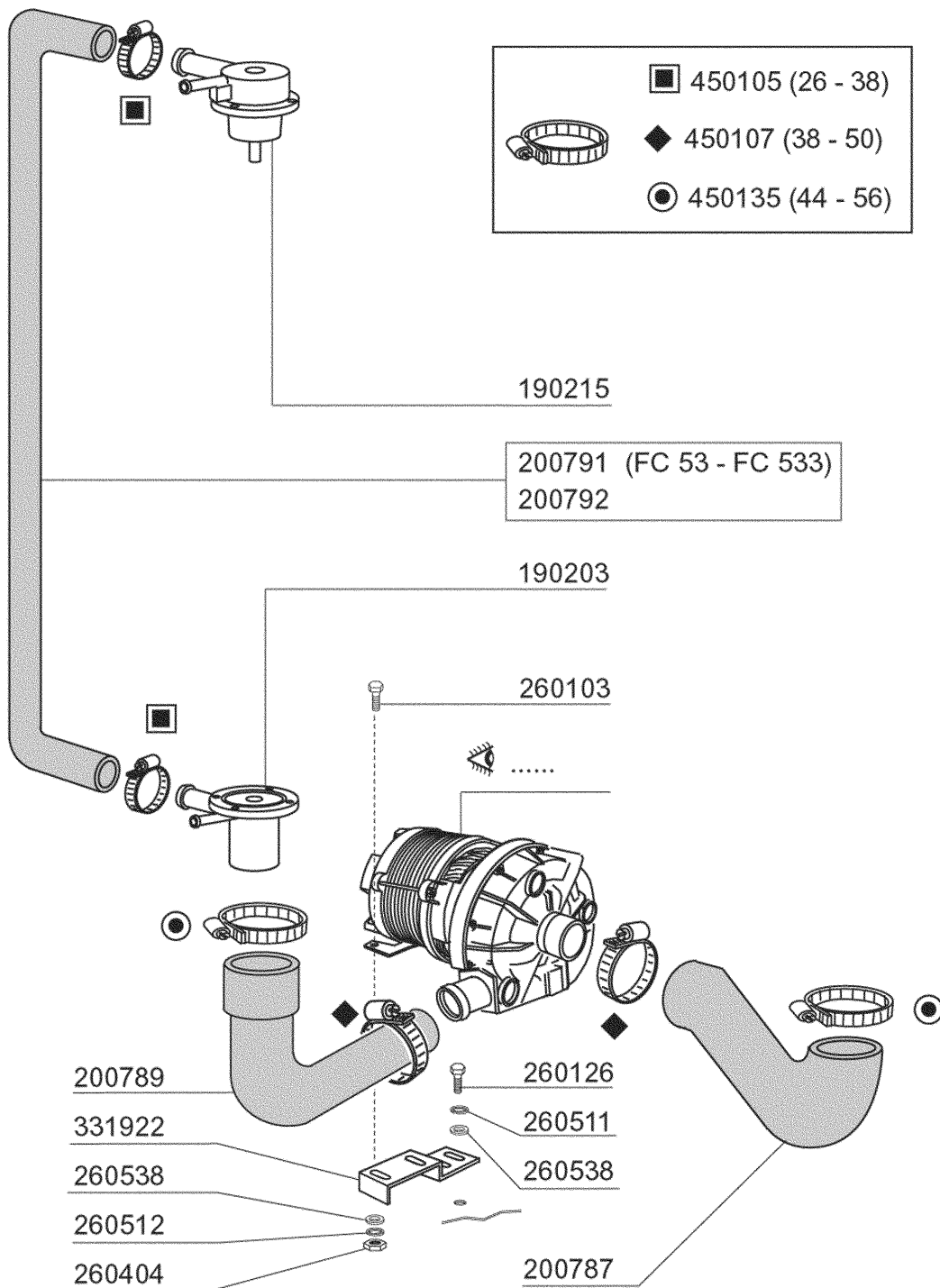


05 - 2002 | S. AG.

## 5 - Tank HR

| CODE   | DESCRIPTION                    |
|--------|--------------------------------|
| 100695 | DRAIN PUMP 220V-50             |
| 110263 | TANK HEATER 2000W 230V         |
| 160105 | INJECT.INLET HOSE D.6X4        |
| 160121 | HOSE EPDM D. 5 X 9             |
| 160308 | PUMP INLET HOSE FC             |
| 160309 | DRAIN OUTLET FC DUMPER         |
| 160727 | PLUG 1/2 NTP CAP               |
| 160755 | PLUG FOR MACHINES WITHOUT SOFT |
| 161306 | HOSE FOR AIR CHAMBER F45-80    |
| 161315 | AIR TRAP HRT-HT                |
| 180109 | LOCK NUT 1 1/2"                |
| 180308 | INJECTOR                       |
| 180416 | TEE FOR DRAIN PUMP "HR"        |
| 180722 | DETERGENT DISPENSER STREINER   |
| 180822 | DRAIN FILTER FOR FC"HR"        |
| 200346 | DRAIN HOSE GLASSWASHER         |
| 200410 | DRAIN OUTL.WASH.1 1/2"65X47X2  |
| 200415 | AIR TRAP GASKET -F2 18,5X10X3  |
| 200467 | DUTRAL GASKET F. AIR TRAP      |
| 200489 | GASKET 81X68X3                 |
| 200793 | DRAIN PUMP INLET HOSE FC       |
| 200810 | O-RING 2,62X9,92X15,6 F.GLASSW |
| 200919 | GASKET FOR SUCTION BASIN FC    |
| 201007 | DRAIN PUMP HOSE EXTENSION      |
| 251213 | INJECTIOR S/S FOR DETERGENT IN |
| 260408 | S/S NUTS D.12                  |
| 260425 | LEAKING NUT FOR DRAIN PUMP HR  |
| 260506 | STAINL.STEEL FLAT WASHER D10   |
| 270101 | HEXAGON LOCK NUT 1/2"          |
| 290105 | BRASS-TE-PLUG 1/2"             |
| 320166 | VORTEX BREAKER FOR FC MACHINES |
| 332006 | TANK FILTER FC-HR              |
| 332333 | BRACKET FOR DRAIN PUMP         |
| 440627 | DETERGENT DISPENSER            |
| 450106 | CLAMP FE ZN 32-44 H=12,2       |
| 450109 | CLAMP 50-65                    |
| 450114 | CLAMP FE ZN.22-32 H=12,2       |
| 450115 | ELASTIC CLAMP D.8,3/7,8        |
| 450135 | CLAMP FE ZN. 44-56 H=12,2      |
| 450521 | TANK THERMOSTAT SHIELD         |
| 460502 | GASKET 30X21X2                 |

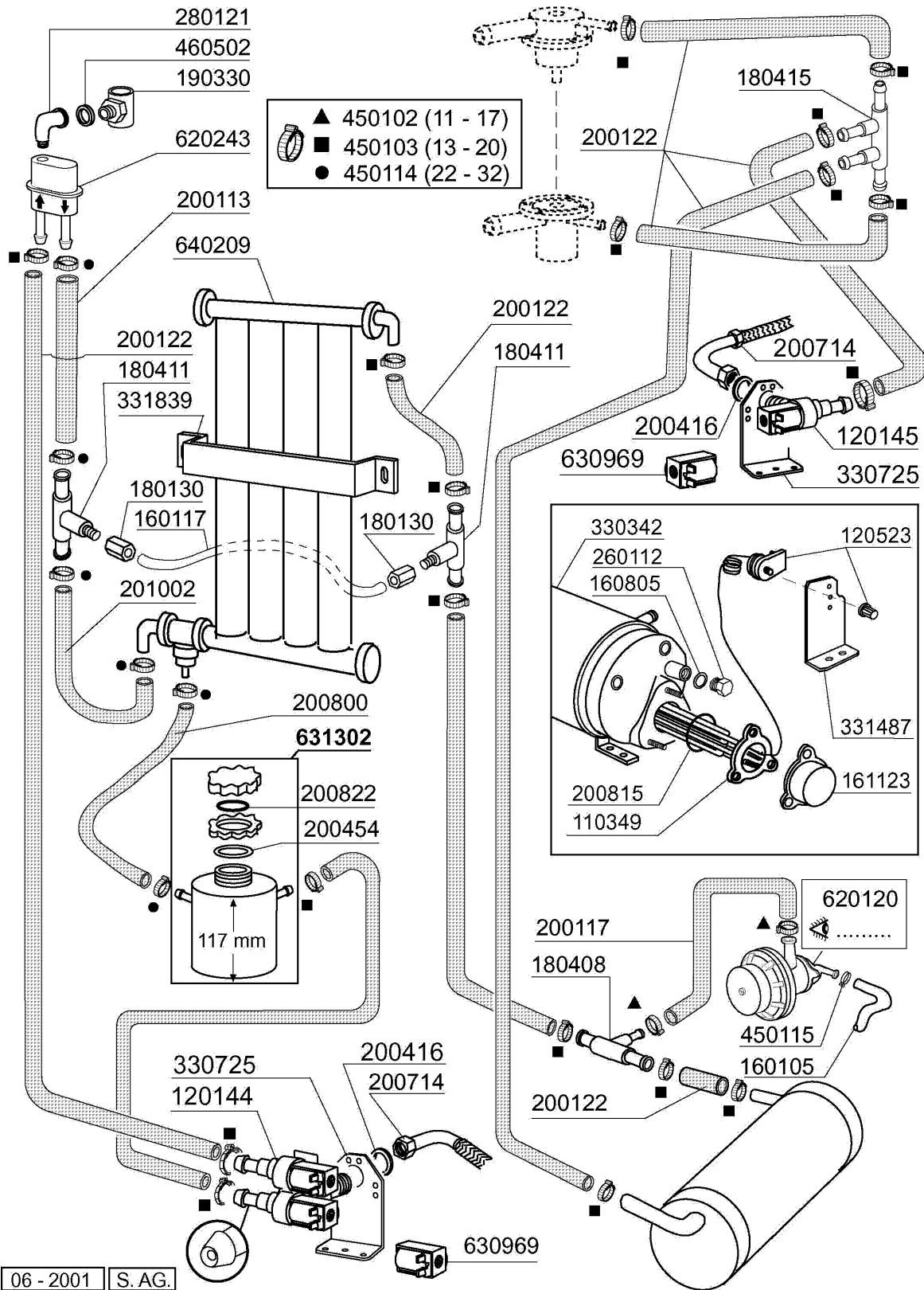




**6 - Wash**

| <b>CODE</b> | <b>DESCRIPTION</b>             |
|-------------|--------------------------------|
| 190203      | LOWER TEE WASH-RINSE F2-45-55- |
| 190215      | UPPER WASH/RINSE ARM SUPPORT F |
| 200787      | INLET HOSE FC53-FC544-FCHR     |
| 200789      | OUTLET HOSE FC                 |
| 200791      | UPPER/LOWER WASH HOSE FC53     |
| 200792      | HOSE FOR UPPER/LOWER WASH FC54 |
| 260103      | SCREW TE 6X12                  |
| 260126      | SCREW TE 5X12                  |
| 260404      | STAINLESS STEEL NUTS D6 UNI 55 |
| 260511      | GROWER WASHER D.5              |
| 260512      | ST/ST GROWER WASHER D6         |
| 260538      | WASHER 18X6X1,5 ST/ST          |
| 331922      | BRACKET F. PUMP "F"            |
| 450105      | CLAMP FE ZN. 26-38 H=12,2      |
| 450107      | CLAMP FE ZN 38-50 H=12,2       |
| 450135      | CLAMP FE ZN. 44-56 H=12,2      |

7 - Water softener E-HRA-HRTA



06 - 2001 | S.A.G.

7 - Water softener E-HRA-HRTA

| CODE   | DESCRIPTION                    |
|--------|--------------------------------|
| 110349 | HEAT.ELEMENT 6000W 230/400V    |
| 120144 | SOLENOID VALVE FCA 20 LT TYPE  |
| 120145 | SOLENOID VALVE 12 LT 1 WAY     |
| 120523 | SAFETY THERMOSTAT 110Ø         |
| 160105 | INJECT.INLET HOSE D.6X4        |
| 160117 | HOSE 6,3X1,1 WITHE             |
| 160805 | GASKET D.8                     |
| 161123 | HEAT.ELEMENT COVER H42 SNL     |
| 180130 | CONNECTION NUT FOR BY PASS (1/ |
| 180408 | TEE-NIPPLE F.INJECT.W/CENTR.RE |
| 180411 | TEE-NIPPLE FOR BY PASS "BTM"   |
| 180415 | TEE NIPPLE DOUBLE "T"          |
| 190330 | TEE FOR VAACUM BREAKER         |
| 200113 | RUBBER HOSE 12 X 22            |
| 200117 | RUBBER HOSE 7X16               |
| 200122 | HOSE 11X19                     |
| 200416 | GASKET D. 3/4"                 |
| 200454 | GASKET F. SALT CONT.           |
| 200714 | GLASSWASHER INLET HOSE         |
| 200800 | HOSE FOR SALT CONTAINER        |
| 200815 | O-RING F. HEAT.ELEM.           |
| 200822 | PLUG GASKET OF SALT CONTAINER  |
| 201002 | HOSE                           |
| 260112 | STAINLESS STEEL TE-SCREW 8X16  |
| 280121 | ELL FOR VAACUM BREAKER         |
| 330342 | BOILER C95-C155-C165           |
| 330725 | STANDARD BRACKET F.SOLEN.VALV  |
| 331487 | BRACKET FOR 1 THERMOSTAT       |
| 331839 | BRACKET FOR WATER SOFTENER     |
| 450102 | CLAMP FE ZN 11-17 H=9          |
| 450103 | CLAMP FE ZN. 13-20 H=9         |
| 450114 | CLAMP FE ZN.22-32 H=12,2       |
| 450115 | ELASTIC CLAMP D.8,3/7,8        |
| 460502 | GASKET 30X21X2                 |
| 620120 | RINSE AID INJECTOR             |
| 620243 | VACUUM BREAKER (WITHOUT KIT)   |
| 630969 | COIL S4216 220/50HZ            |
| 631302 | SALT CONTAINER                 |
| 640209 | WATER SOFTENER (4 COLUMNS)     |

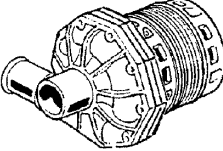
631652 (50 Hz)

630413


630116

630222

630501



**100399**  
220/240 V  
50 Hz HP 0,6  
Kw 0,45



631206  
( 10  $\mu$ F )

631683  $\varnothing$  93 (50 Hz)  
631684  $\varnothing$  80 (60 Hz)


630419

630129

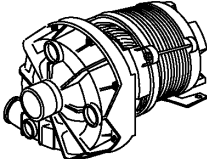
630240

630501

dalla matricola  
a partir de la matr.  
from serial no.  
ab Seriennr.  
despues la matr.  
**4755/04/01**



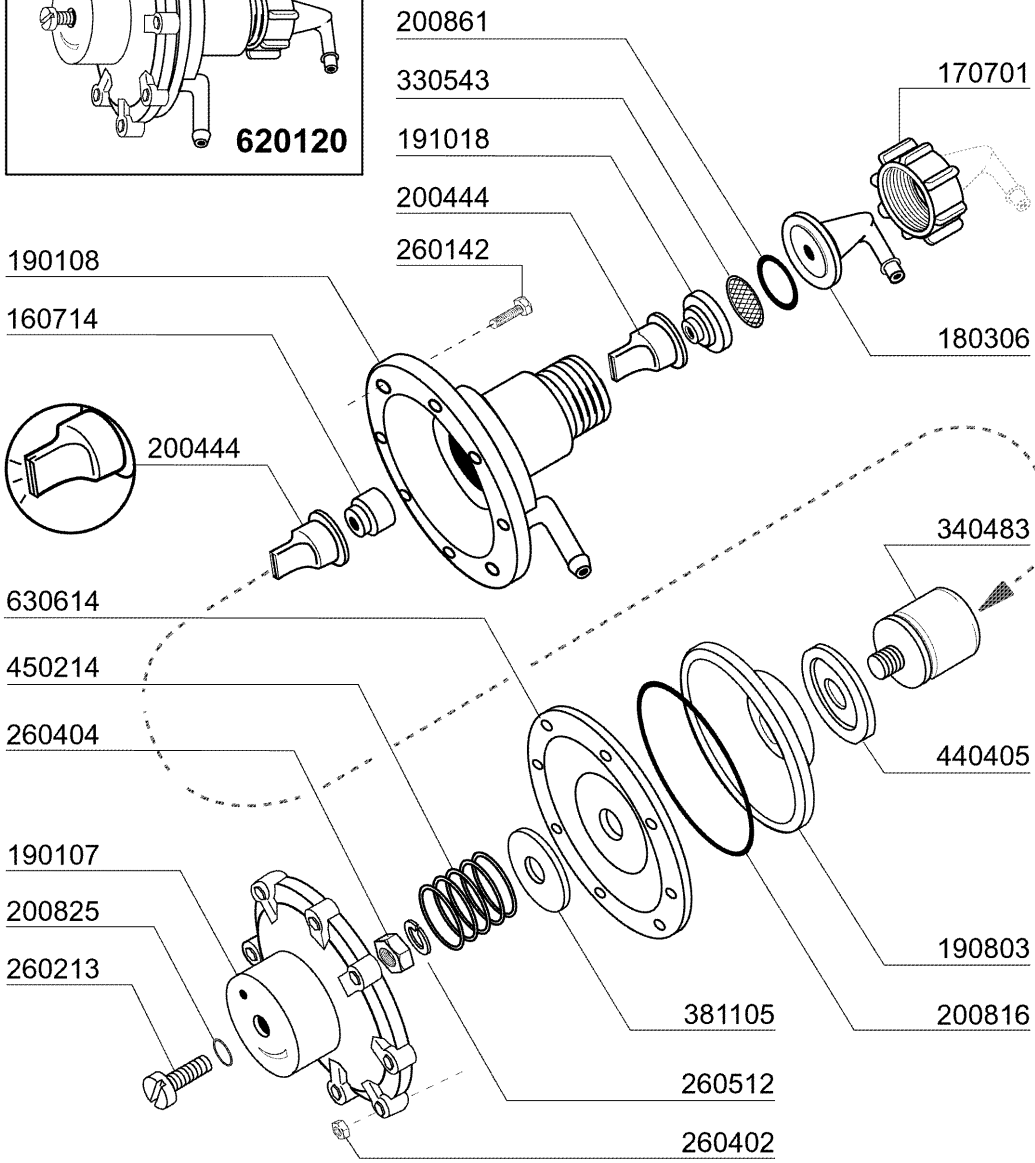
**100740** 220/240 V 50 Hz HP 0,6 - 4247  
**100744** 220/200 V 60 Hz HP 0,6 - 4247  
Kw 0,45



631206  
( 10  $\mu$ F )

**8 - Pump**

| <b>CODE</b> | <b>DESCRIPTION</b>           |
|-------------|------------------------------|
| 100399      | PUMP HP0,6 220-50HZ (100740) |
| 100740      | PUMP 0,6HP 220/240V 4247     |
| 100744      | PUMP HP 0,6 200-220-60HZ     |
| 630116      | -NO MORE AVAILABLE           |
| 630129      | VOLUTE PUMP 0,5HP 2247       |
| 630222      | COVER PUMP IB HP 0,4         |
| 630240      | PUMP FLANGE 0,6HP-4247 FIR   |
| 630413      | -NO MORE AVAILABLE           |
| 630419      | PUMP GASKET 2247 0,5HP       |
| 630501      | SEAL FOR PUMP HP 2-3-3,2     |
| 631206      | CONDENSER 10MF. 450V 85C     |
| 631652      | -NO MORE AVAILABLE           |
| 631683      | PUMP IMPELLER 50HZ FIR 4247  |
| 631684      | IMPELLER FOR PUMP 60 HZ      |

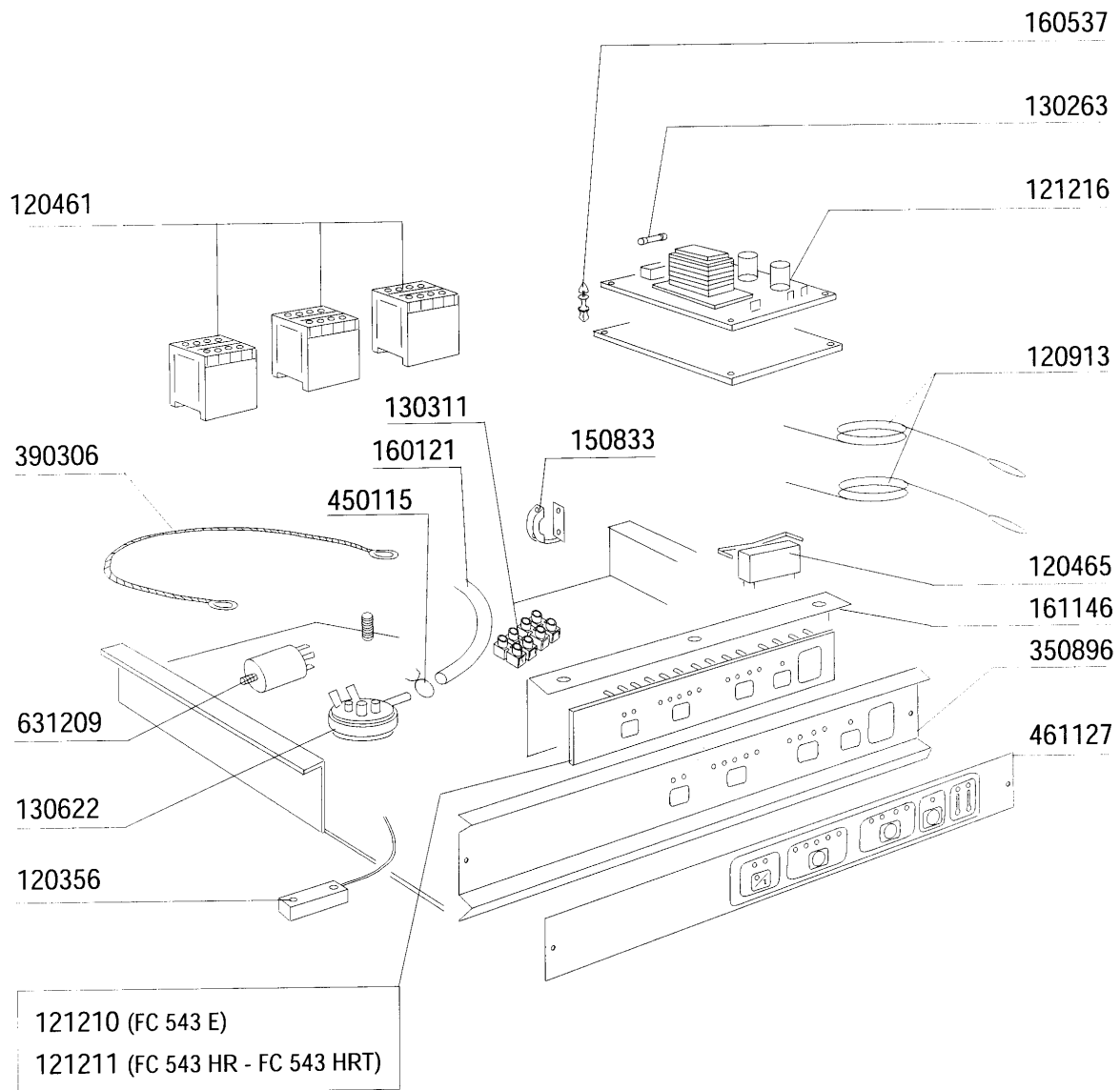


9 - Rinse aid injector

| CODE   | DESCRIPTION                    |
|--------|--------------------------------|
| 160714 | PLUG FOR RINSE AID INJECTOR MO |
| 170701 | LOCK NUT 1/2" F.INJECTOR       |
| 180306 | NIPPLE F.RINSE AID INJECTOR    |
| 190107 | COVER FOR RINSE AID DISPENSER  |
| 190108 | VOLUTE FOR RINSE AID DISPENSER |
| 190803 | GASKET SUPPORT RING F.INJECT   |
| 191018 | FILTER SUPPORT RINSE AID INJEC |
| 200444 | SUCTION VALVE RINSE INJECTOR   |
| 200816 | O-RING 2,5X59,2X64,2 RINSE INJ |
| 200825 | O-RING 3X5X11 RINSE INJECTOR   |
| 200861 | O-RING 14X18X2                 |
| 260142 | SCREW TE 4X16                  |
| 260213 | SCREW TCP 5X25                 |
| 260402 | STAINLESS STEEL NUT D4 UNI 55  |
| 260404 | STAINLESS STEEL NUTS D6 UNI 55 |
| 260512 | ST/ST GROWER WASHER D6         |
| 330543 | FILTER RINSE AID INJECTOR D.17 |
| 340483 | PISTON FOR RINSE AID DISPENSER |
| 381105 | DIAPHRAGME DISC                |
| 440405 | GASKET FOR RINSE AID INJ.      |
| 450214 | SPRING RINSE AID INJECTOR      |
| 620120 | RINSE AID INJECTOR             |
| 630614 | DIAPHRAGM RINSE INJECTOR       |



## 10 - Control box with electronic printed circuit



## 10 - Control box with electronic printed circuit

| CODE   | DESCRIPTION                    |
|--------|--------------------------------|
| 120356 | DOOR MAGN.SWITCH               |
| 120461 | CONTACTOR ABB B6-30-01 220V    |
| 120465 | RELAIS 16A 12V                 |
| 120913 | PROBE FOR FC+C PCB             |
| 121210 | PCB FOR FC                     |
| 121211 | PCB FOR FCHR                   |
| 121216 | TRANSFORMER FOR PCB FC         |
| 130263 | FUSE 5X20 T400MA               |
| 130311 | TERMINAL BLOCK                 |
| 130622 | PRESSURE SWITCH 48-28 FCHR-HRT |
| 150833 | CABLE HOLDER BC/BR             |
| 160121 | HOSE EPDM D. 5 X 9             |
| 160537 | ELECTRONIC CARD SPACER         |
| 161146 | PROTECTION FOR ELECT.TIMER     |
| 350896 | CONTROL PANEL SUPPORT FOR FC54 |
| 390306 | CABLE                          |
| 450115 | ELASTIC CLAMP D.8,3/7,8        |
| 461127 | PLATE FC543E-FCHR              |
| 631209 | ANTI-NOISE FILTER              |

620242

200467

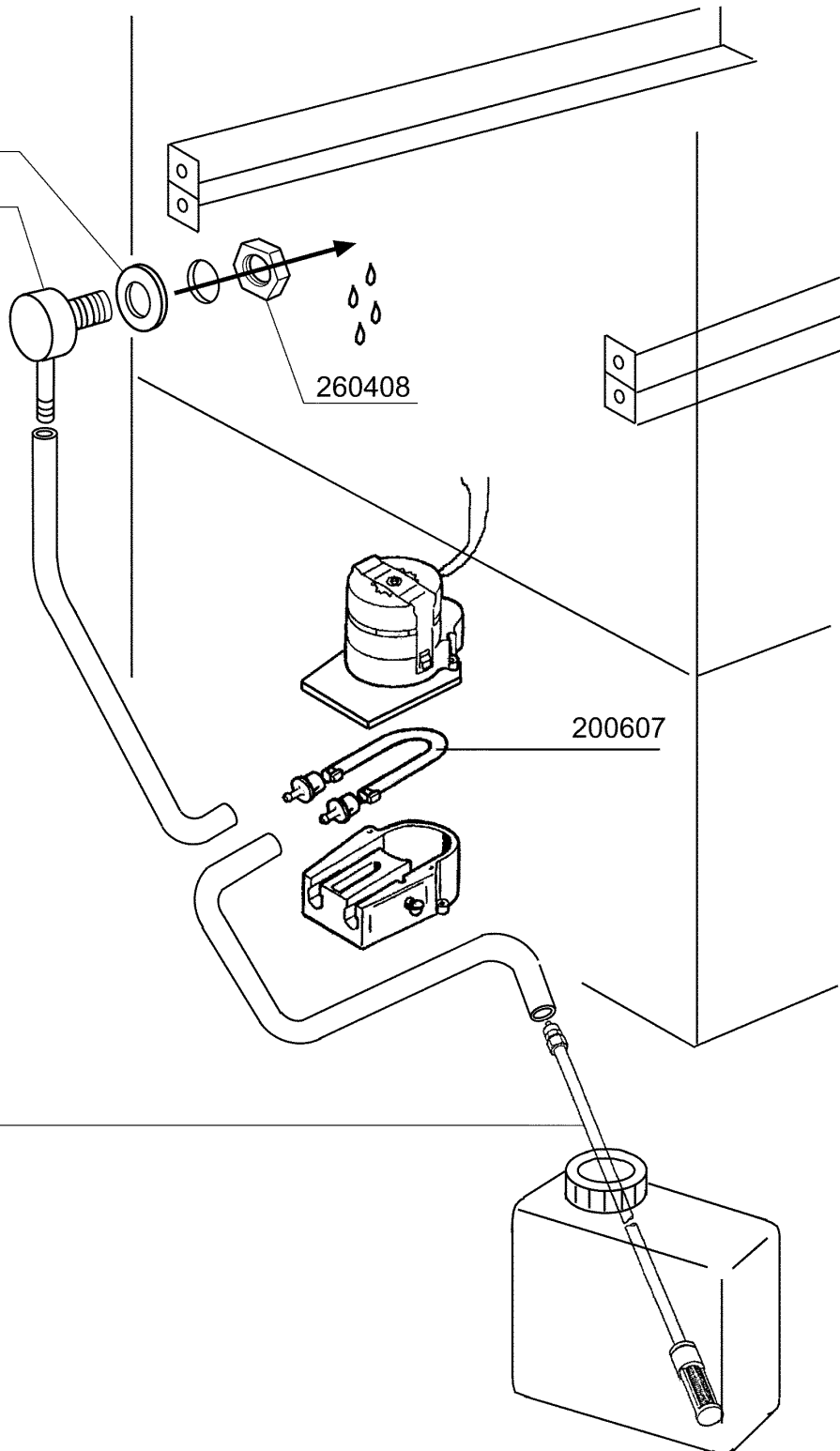
251213

260408

200607

180719

10 - 2000 S. AG.



## 11 - Detergent dispenser

| <b>CODE</b> | <b>DESCRIPTION</b>             |
|-------------|--------------------------------|
| 180719      | DETERGENT DISPENSER SUCTION HO |
| 200467      | DUTRAL GASKET F. AIR TRAP      |
| 200607      | DETERGENT DISPENSER HOSE       |
| 251213      | INJECTIOR S/S FOR DETERGENT IN |
| 260408      | S/S NUTS D.12                  |
| 620242      | DETERGENT INJECTOR (KIT)       |